

Press release

Verberie, France,
November, the 2nd of 2015

MEDIUM DUTY RANGE

A new size for the pump range, the PM30

In March 2014 at the Conexpo tradeshow in the United States, Poclain Hydraulics unveiled the first pump from its brand new PM range (the PM50).

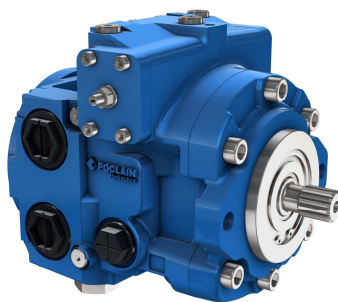
Today, Poclain Hydraulics presents at the Agritechnica tradeshow its little sister: the PM30.

Designed according to the same rules as the PM50, the PM30 has been especially developed to meet all customers' expectations in terms of productivity, comfort, reliability and efficiency.

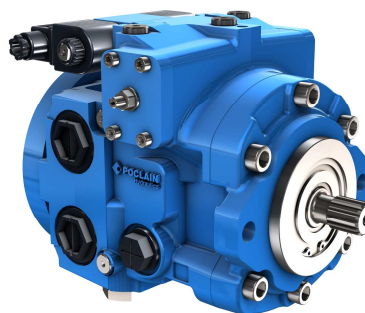
This pump is well suited to the most demanding markets like mower, wheel loader, compactors, platforms etc.

Design to Performances & Comfort:

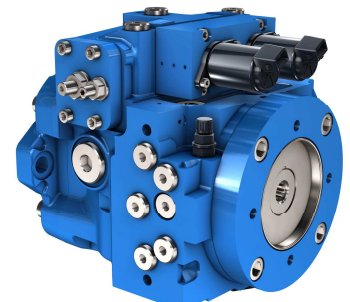
End users can now take full advantage of performance and comfort when using their machines. The new range of PM hydraulic pumps provides all necessary monitoring for all machines available on the market. Whether mechanical, hydraulic or electrical - proportional units, they have all been redesigned with special emphasis on detail and efficiency. With the aim of further improving the working environment of the driver, particular care was taken to reduce noise levels. Machines can access present and future requirements in terms of comfort, safety and performance.



Hydraulic servo control



Electrical on-off servo control



Electro-proportional servo control

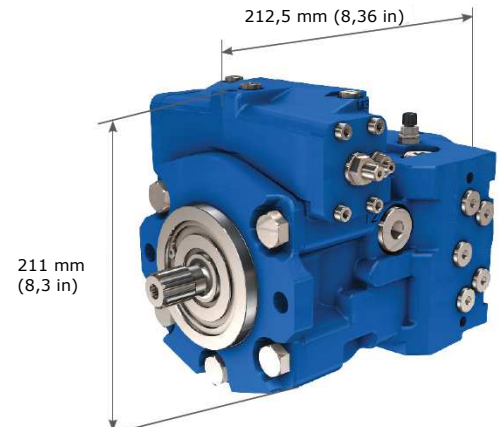
with return spring

Design to last:

Reliability and durability play an integral priority in market expectations. Designed using the highest standards of quality control, combining very demanding tests on test benches with site tests in extreme conditions, the new range of PM hydraulic pumps even exceeds your reliability requirements. It exemplifies the image brand of your machines and contributes to overall customer satisfaction.

Design to machine integration:

Technical solutions imposed by the new anti-pollution standards reduce the space available in the engine compartments. The new range of PM hydraulic pumps offers an extremely compact design due to a reduced axial length and the integration of additional functions such as exchange or anti-stall without compromising external dimensions. Thanks to the compactness of the PM50 offer, Poclair Hydraulics' clients have more flexibility in the design of their machines.



Design to Energy saving:

End users are now very attentive to total ownership costs of their machines. They pay special attention to fuel consumption costs. Each component of the new range of PM hydraulic pumps has been designed with the aim of increasing overall efficiency and thus contributing to consumption reduction expected by the markets.

Technical characteristics of the future range :

		PM30	PM50
Max Displacement	cc (cu.in/rev)	25-35 (1.53 – 2.14)	40-52 (2.4 - 3.2)
Peak Pressure	bar (psi)	400 (absolute) (5801 absolute)	
Rated Pressure	Bar (psi)	300 (absolute) (4351 absolute)	
Max Speed	rpm	3600	3600